

P4H-500C
 P4H-500MB

P4H-500BN



Single Handle Lavatory Faucet



Product Spec Sheet

FEATURES & BENEFITS

- This Product Contains Less Than 0.25% Weighted Average Lead Content On Wetted Surfaces
- One Hole or Three Hole Installation
- Metal Lever Handle
- Ceramic Cartridge
- Optional Deckplate Included
- Integrated Supply Lines
- Metal Push Pop-Up
- Max Flow Rate 1.0 GPM (3.8L/Min) At 60 PSI (ASME A112.18.1/A112.18.1)

Approvals:

Meets or Exceeds The Following:

- * ASME A112.18.1/CSA B125.1
- * NSF/ANSI 61
- * NSF/ANSI 372
- * IAPMO/cUPC
- * CA AB1953
- * ADA Compliant
- * EPA WaterSense

P4H-500C
Chrome Finish

P4H-500BN Brushed
Nickel Finish

P4H-500MB
Matte Black Finish

* NSF/ANSI/CAN 61: Q ≤ 1



TEL: 855-806-0688

FAX: 845-350-4043

Visit Our Web Site : www.plumb4orce.com

P4H-500C

P4H-500BN

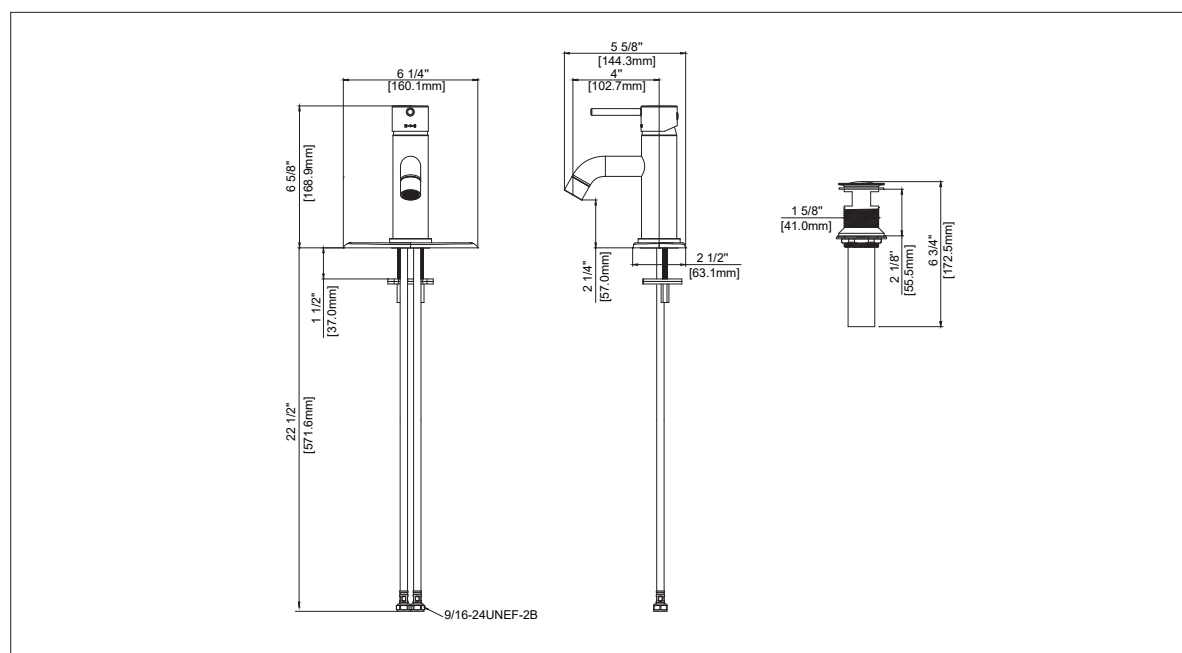


P4H-500MB

Single Handle Lavatory Faucet

No.	Name	Part No.
1	Index / Índice	RP80390*
2	Set screw / Tornillo de fijación	RP50002
3	Handle / Llave	RP13466*
4	Cap / Tapa	RP80132*
5	Bonnet / Bonete	RP70242
6	Screw / Tornillo	RP50015
7	Cartridge / Cartucho	RP20044
8	Aerator / Aireado	RP30245*
9	Flange / Brida	RP80548*
10	Escutcheon / Placa de la cubierta	RP80549*
11	Gasket / Junta	RP80550
12	Rubber washer / Arandela de goma	RP64008
13	Metal washer / Arandela metálica	RP64009
14	Lock nut / Tuerca de bloqueo	RP56111
15	Pop-up assembly / Ensamblaje emergente	RP40319*

* Specify Finish
* Especificque el Acabado



Product Spec Sheet

TEL: 855-806-0688

FAX: 845-350-4043

Visit Our Web Site : www.plumb4orce.com